



# DR 170

## TUMBLER

### FOR ON-PREMISES LAUNDRY APPLICATIONS

**INDUSTRIAL  
BY DESIGN**



Over-dry Prevention Technology (OPT) offers unmatched levels of accuracy, resulting in a pinpoint dryness reading throughout the entire load. Specialized sensors located within the lifters are connected to our revolutionary rotary transfer switch to determine the exact moment your linens are dry, which helps eliminate overdrying and increases throughput. Additionally, it reduces utility consumption, saving hundreds of euros a year in unnecessary energy costs.

OPT is available in IPSO's OPTimum™ control, which offers 30 programmable drying cycles for greater operating efficiency and is easy to train staff to operate. It also delivers flexibility with simple customization of cycles. The OPTimum control is available on all IPSO-tumblers.

## Unmatched Industrial Reliability

- Large cylinder
  - Allows free air movement
  - Short drying cycles
- Standard galvanized drum
  - Oval drum holes preventing damage from standard drywall screws
- High performance heater box
  - Incoming air is preheated by the radiant heat from the stove top
  - Increased energy efficiency
  - Faster drying times
  - More comfortable operating environment
- High performance heat system
  - Immediate ignition of the burner
  - Quick & efficient reach of desired temperature
  - Even heat distribution
  - Reduced drying times
  - Energy-saving
- Radial airflow
  - Drum perforations over the entire surface
  - High production
  - Pulley drive system
- Reversing
  - Prevents tangling of the linen
- CARE = Combustion Auto Response EquippedA response to laundry combustion
  - Prevents early laundry fire by constantly monitoring the temperature in the drum
  - In case of excessive temperature, the linen is sprayed with water

## Easy to Use Simplicity

- OPTimum control
  - Easy to operate
  - Easy to programme
  - 30 programmable cycles
  - 3 cycle types
  - Time Dry: programmable time and temperature
  - Auto Dry: 11 programmable automatic dryness levels and programmable temperature
  - Moisture Dry: will dry to the programmed moisture level at programmed temperature

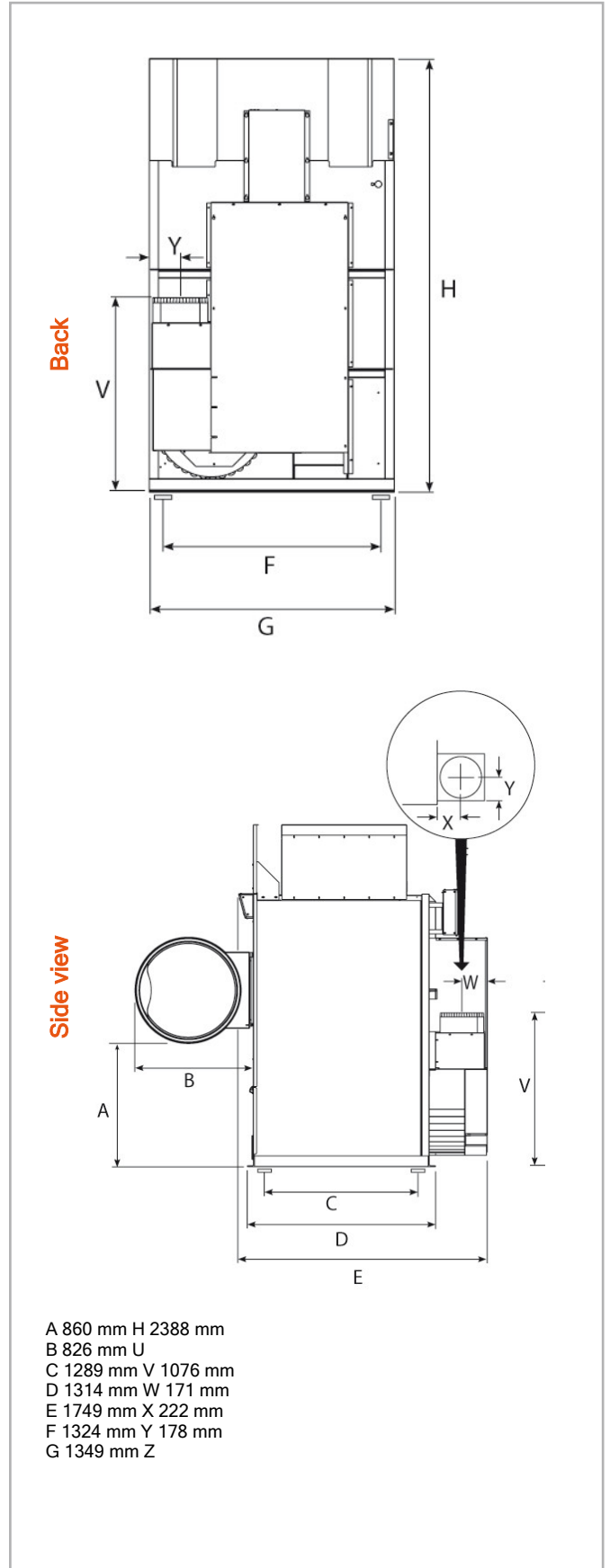
# DR 170

## Technical specifications

Capacity dry linen (25:1) (kg)	56.3
Capacity dry linen (20:1) (kg)	70.4
<b>Drum</b>	
Volume (l)	1408
Diameter (mm)	1289
Depth (mm)	1080
Reversing door	standard
Door opening diameter (mm)	683
Temperature min (°C)	38
Temperature max (°C)	88
<b>Power motor non-reversing</b>	
Drum (kW)	NA
Fan (kW)	NA
<b>Power motor reversing</b>	
Drum (kW)	0.56
Fan (kW)	2.24
Exhaust flow rate (50 Hz) (l/s)	1156
Diameter (mm)	305
<b>Power</b>	
Electric heating (kW)	NA
Gas heating (Btu/h)	395,000
Gas heating (kcal)	99,500
<b>Steam heating</b>	
@ 6,9 bar (Btu/h) / (kW)	648.000 - 189,7
@ 1.0 bar (Btu/h) / (kW)	433.000 - 126,9
Steam connection inlet	¾"
Steam connection outlet	1
Gas connection	1
Gas connection - Pressure NG/LP (mb)	20 / 28,37
<b>Packing dimensions</b>	
Height (mm)	2515
Width (mm)	1473
Depth (mm)	1892
Noise level (dBA)	70
<b>Weight</b>	
Gross (Gas/elec) (kg)	812
Gross (Steam) (kg)	858
Nett (Gas/elec) (kg)	714
Nett (Steam) (kg)	760
C.A.R.E.	optional
<b>Available controls</b>	
OPTimum (OPL only)	standard
** Single gas inlet & elliptical exhaust	
*** per pocket	

## Type of heating

Steam/gas heating 380V - 415V/3/50	15 A
Steam/gas heating (rev.) 380V - 415V/ 3/50	15 A



All specifications subject to change without notice