



IB265 - IB332 - IB442 - IB663

High spin hygienic barrier washer-extractors

INDUSTRIAL
BY DESIGN



HYGIENIC
SOLUTION



LARGE DOOR
OPENING



EASY
OPERATION

Features

- Stainless steel body and grey painted side legs
- Freestanding, high spin
- Oversized frame, bearings and drum
- Large drain valve 2xØ76mm
- Easy access to all parts
- Frequency controlled motor
- Large door opening for easy loading and unloading.
- MICRO - new graphic display with almost unlimited possibilities as:
 - Communication interface enabling remote service
 - Multilingual microprocessor
 - Freely programmable
- Perforated lifting ribs: better washing results, lower water consumption
- Eco-friendly washing programs - significantly reduces water and electricity consumption
- Patented soap dispenser with 5 removable compartments

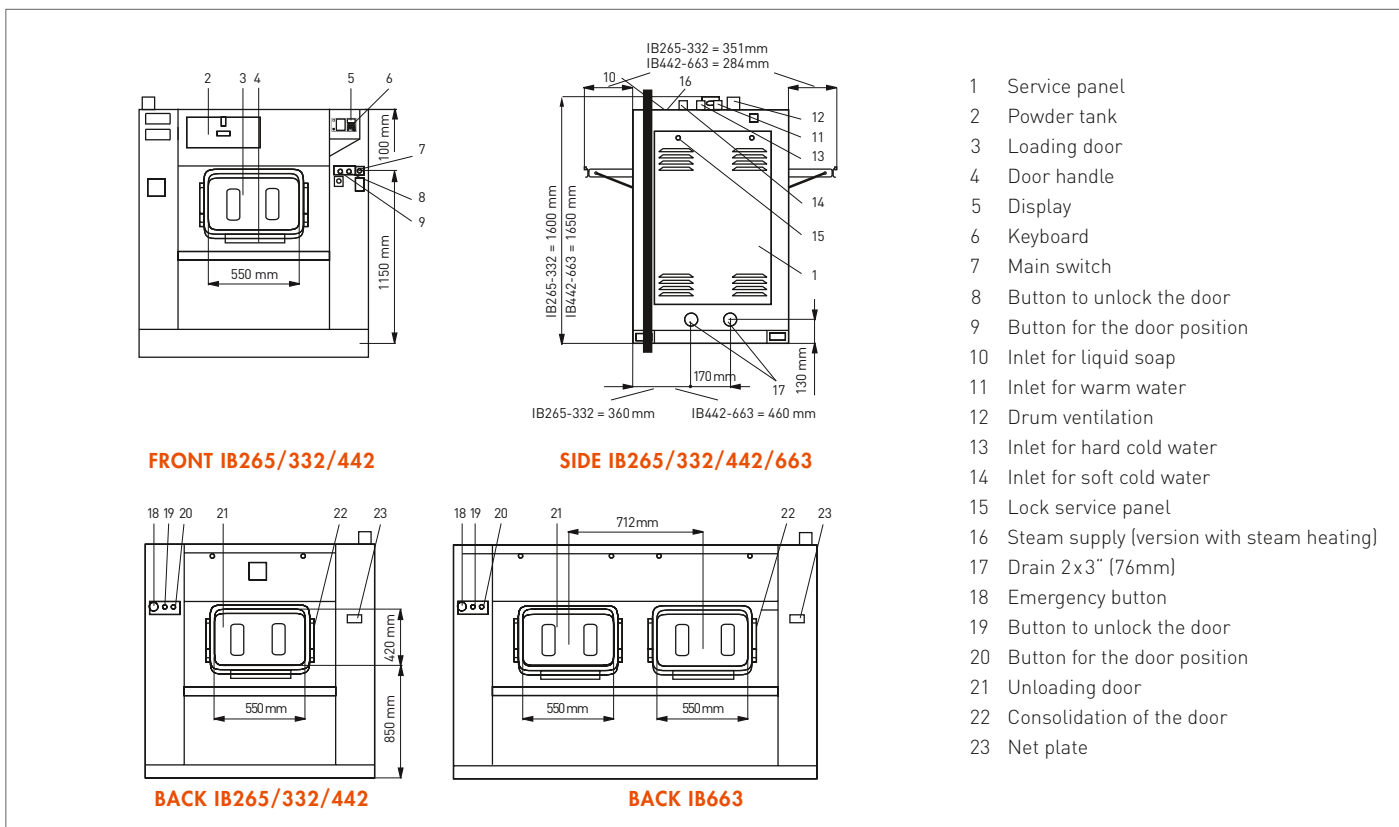
Options

- Stainless steel side legs
- Liquid soap pumps
- Linen weighing and waterconsumption optimization system
- Aries Assist

IB265 - IB332 - IB442 - IB663

TYPE		IB265	IB332	IB442	IB663
CAPACITY					
drum capacity	kg	29	37	49	74
drum volume	l	265	332	442	663
drum diameter	mm	Ø 650	Ø650	Ø 750	2 x Ø 750
number of drums		1	1	1	2
number of loading doors		1	1	1	2
number of unloading doors		1	1	1	2
DRUM SPEED					
washing speed	rpm	45	45	41	41
highest spin speed	rpm	960	960	915	915
G-factor spin speed		335	335	350	350
PROGRAMMER					
MICRO - microprocessor				standard	
CABINET					
stainless steel				option	
HEATING					
electrical	kW	24	36	45	54
steam	bar	3-8	3-8	3-8	3-8
CONNECTIONS					
electrical		3 x 200-240V 50/60 Hz - 3 x 380-480V 50/60 Hz			
water inlet	mm (in)	25 (1")			
steam inlet	mm (in)	19 (3/4")			
DIMENSIONS					
size H x W x D	mm	1600 x 1410 x 1060	1600 x 1560 x 1060	1650 x 1610 x 1170	1650 x 2160 x 1170
TRANSPORT DATA					
gross	kg	1070	1090	1280	1510
net	kg	960	1000	1140	1360
packed H x W x D	mm	1840 x 1465 x 1175	1840 x 1610 x 1175	1840 x 1660 x 1380	1840 x 2200 x 1380
WATER CONSUMPTION					
cold and hot water per cycle*	l	276 + 69	364 + 91	467 + 117	785 + 195

* Tested in accordance of EN 604 56 norm. The data concerning dimensions of machines include all extended parts.



- 1 Service panel
- 2 Powder tank
- 3 Loading door
- 4 Door handle
- 5 Display
- 6 Keyboard
- 7 Main switch
- 8 Button to unlock the door
- 9 Button for the door position
- 10 Inlet for liquid soap
- 11 Inlet for warm water
- 12 Drum ventilation
- 13 Inlet for hard cold water
- 14 Inlet for soft cold water
- 15 Lock service panel
- 16 Steam supply (version with steam heating)
- 17 Drain 2x3" (76mm)
- 18 Emergency button
- 19 Button to unlock the door
- 20 Button for the door position
- 21 Unloading door
- 22 Consolidation of the door
- 23 Net plate