



IH180-IH240-IH280

High spin hygienic barrier washer

INDUSTRIAL
BY DESIGN

Features

- Freestanding, high spin
- Complete stainless steel cabinet
- Stainless steel drum and tub
- Aries Elite - Fully programmable
- Patented soap hopper
- Large drain valve (Ø 76 mm)
- Easy access to all important parts from all sides
- Large door opening for easy loading & unloading
- Automatic door positioning
- Liquid soap connection

Options

- USB plug (on the side panel)
- Liquid soap pumps
- Water recovery option incl. second drain valve
- Steam heating version
- Water sample tap
- Aries Assist
- Second display
- Weighing system



HYGIENIC
SOLUTION



LARGE DOOR
OPENING



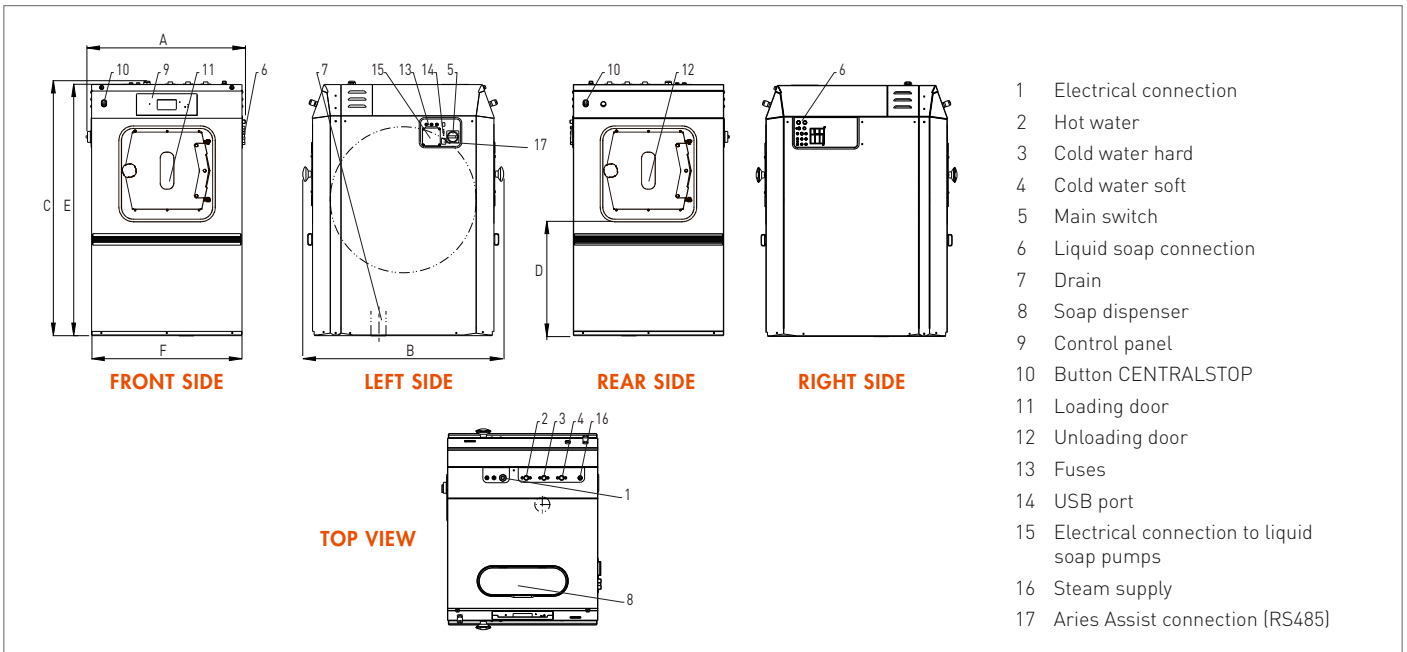
LOW WATER
CONSUMPTION



LOW ENERGY
CONSUMPTION

IH180-IH240-IH280

TYPE		IH180	IH240	IH280
CAPACITY				
drum capacity	kg	20	27	31
drum volume	l	180	240	280
drum diameter	mm	Ø 750	Ø750	Ø750
number of drums		1	1	1
number of loading doors		1	1	1
number of unloading doors		1	1	1
DRUM SPEED				
washing speed	rpm	42	42	42
highest spin speed	rpm	939	939	914
G-factor spin speed		370	370	350
PROGRAMMER				
Aries Elite		standard	standard	standard
CABINET				
stainless steel		standard	standard	standard
HEATING				
electrical	kW	12/18	18	21,9
steam	bar	3-8	3-8	3-8
CONNECTIONS				
electrical		3 × 200-240V 50/60Hz – 3 × 380-480V 50/60Hz		
water inlet	mm (in)	3 x 19 (3/4)		
steam inlet	mm (in)	13 (1/2)		
DIMENSIONS				
size H×W×D	mm	1455×900×1145	1455×1020×1145	1455 x 1130 x 1145
TRANSPORT DATA				
gross	kg	485	515	550
net	kg	430	460	490
packed H×W×D	mm	1610×1010×1235	1610×1130×1235	1610 x 1240 x 1235



DIMENSIONS

	A	B	C	D	E	F
IH180	900	1145	1455	655	1423	850
IH240	1020	1145	1455	675	1423	970
	width	depth	height			

DOOR DIMENSIONS

	height	width
IH180	325	376
IH240	325	496
IH280	325	496