



High efficient hardmount industrial washer-extractors

IA332 - IA520

Features

- Rigid mounted, normal spin, 100G factor
- Stainless steel top and front panel, black side panels
- Stainless steel drum and tub
- Aries - easy to use microprocessor
- Patented soap hopper
- High capacity water inlets
- Large drain valves (2xØ76 mm)
- Easy access to all vital parts from the front
- Large door opening for easy loading & unloading

Options

- 150G factor (IA332)
- Aries Elite - fully programmable control
- Coin operated
- Stainless steel side panels
- USB plug (on the back panel)
- Liquid soap connection
- Liquid soap pumps
- Water recovery kit
- Steam heating version
- 3rd water inlet



ERGONOMICAL
CONSTRUCTION



LARGE DOOR
OPENING



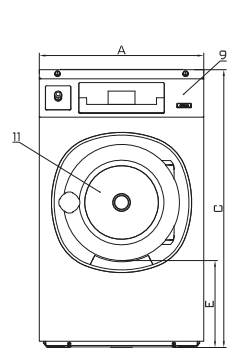
LOW WATER
CONSUMPTION



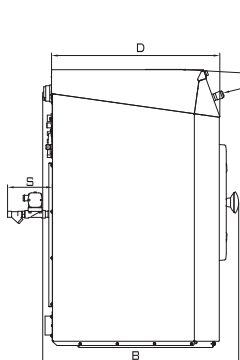
LOW ENERGY
CONSUMPTION

	IA332	IA520
Innerdrum		
Capacity 10:1	35 kg	52 kg
Capacity 9:1	39 kg	58 kg
Volume	332 l	520 l
Diameter	914 mm	914 mm
Drum speed		
Wash	38 rpm	38 rpm
Extraction	540 rpm	440 rpm
G-factor	100 (optional 150)	100
Heating		
Electricity	27 kW	40,6 kW
Steam	1-8 bar	1-8 bar
Hot water	90 °C	90 °C
Sound pressure level	<65 dB(A)	<65 dB(A)
Water valves connection	3/4" BSP	1" BSP
Water pressure	100-800 kPa	100-800 kPa
Rec. Water pressure	300-500 kPa	300-500 kPa
Water inlet	66-188 l/min	183-518 l/min
Drain valve outer	2x76 mm	2x76 mm
Flow amount with drain valve	2x210 l/min	2x210 l/min
Steam valve connection	3/4" BSP	3/4" BSP
Steam pressure	100-800 kPa	100-800 kPa
Transport data		
Gross weight	425 kg	535 kg
Net weight	410 kg	520 kg
Packing dimensions HxWxD	1625x1088x1060 mm	1625x1088x1345 mm

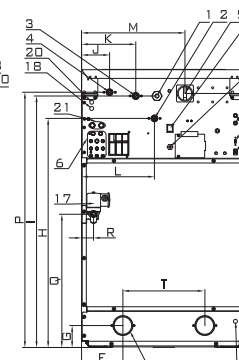
	A	B	C	D	E	F	G	H	I	J	K	L	M	N	P	Q	R	S	T
IA332	1060	1030	1500	936	465	318	120	1326	1366	113	248	383	671	1349	1413	528	66	145	482
IA520	1060	1315	1500	1221	465	318	120	1414	1374	88	223	363	671	1349	1332	528	66	145	482
	width	depth	height																



FRONT



SIDE



BACK

- 1 Electrical connection
- 2 Hot water
- 3 Cold water hard
- 4 Cold water soft
- 5 Main switch
- 6 liquid soap connection
- 7 Drain
- 8 Soap dispenser
- 9 Control panel
- 10 Button CENTRALSTOP
- 11 Door opening Ø460 mm
- 12 Fuses
- 13 USB port
- 14 Electrical connection to liquid soap pumps