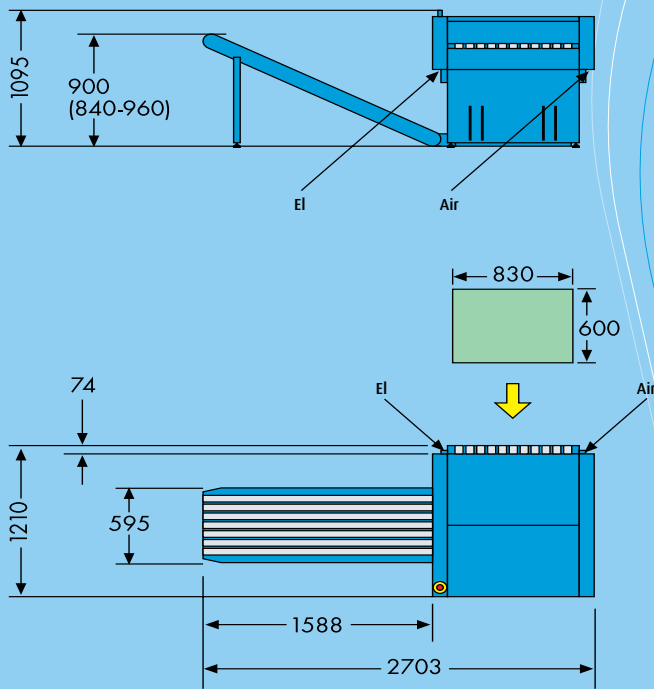


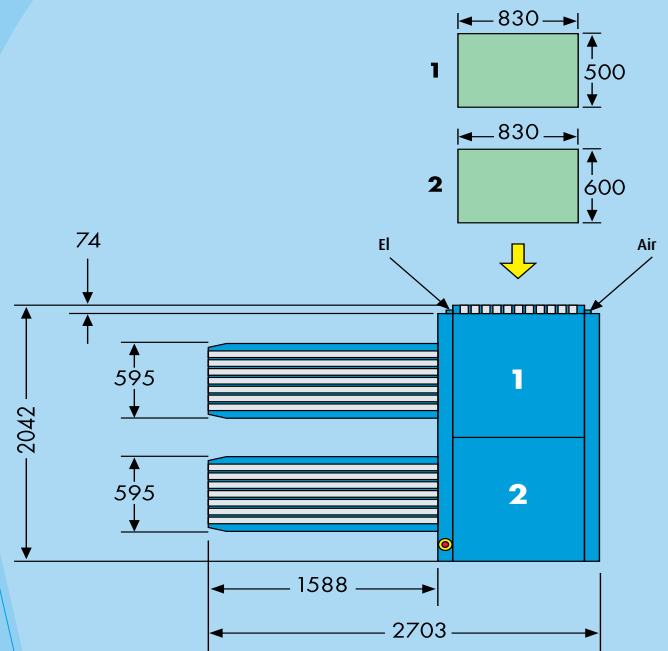
Jenstack Max

High-capacity, free-standing or integrated large piece stacker





Jenstack Max



Jenstack Max Twin

Models available:

- Jenstack Max I (built-in stacker)
- Jenstack Max F (Free-standing with its own PLC)
- Jenstack Max Twin (two stackers in one chassis for sorting)
- Stacking size according to illustrations
- Max stacking height 350 mm



Application

The optimum solution for efficient, high-speed stacking of folded linen. When using the Jenstack Twin or several Jenstack Max operating in series, linen can be sorted and stacked according to predetermined categories controlled by the folder.

Operation

The folded linen arrives from the crossfolder and stops on top of two flaps which open rapidly dropping the linen onto the stack. When the pre-selected number has been reached the stack is ejected to a delivery conveyor.

Features

The delivery conveyor is supplied with a drum motor giving a smoother and steadier transport of the stacks. Inlet on the Jenstack Max is spring mounted in order to secure a uniform and good stacking quality of thick as well as thin linen. Interlock safety guards for service or maintenance.

Installation

JENSEN is pleased to assist you in planning your laundry providing excellent consulting, layouts and technical data. Authorized JENSEN distributors or JENSEN engineers should carry out the installation to ensure the correct performance.

Service

In addition JENSEN provides an extraordinary after sales service through a worldwide network of highly qualified Sales and Service Centers and distributors, all with their own maintenance and spare parts services.

Call us...

JENSEN provides a complete range of heavy-duty equipment for the laundry industry, delivered and installed according to your specifications. Please do not hesitate to contact us for further advice and information, or visit www.jensen-group.com

Local contact



www.jensen-group.com